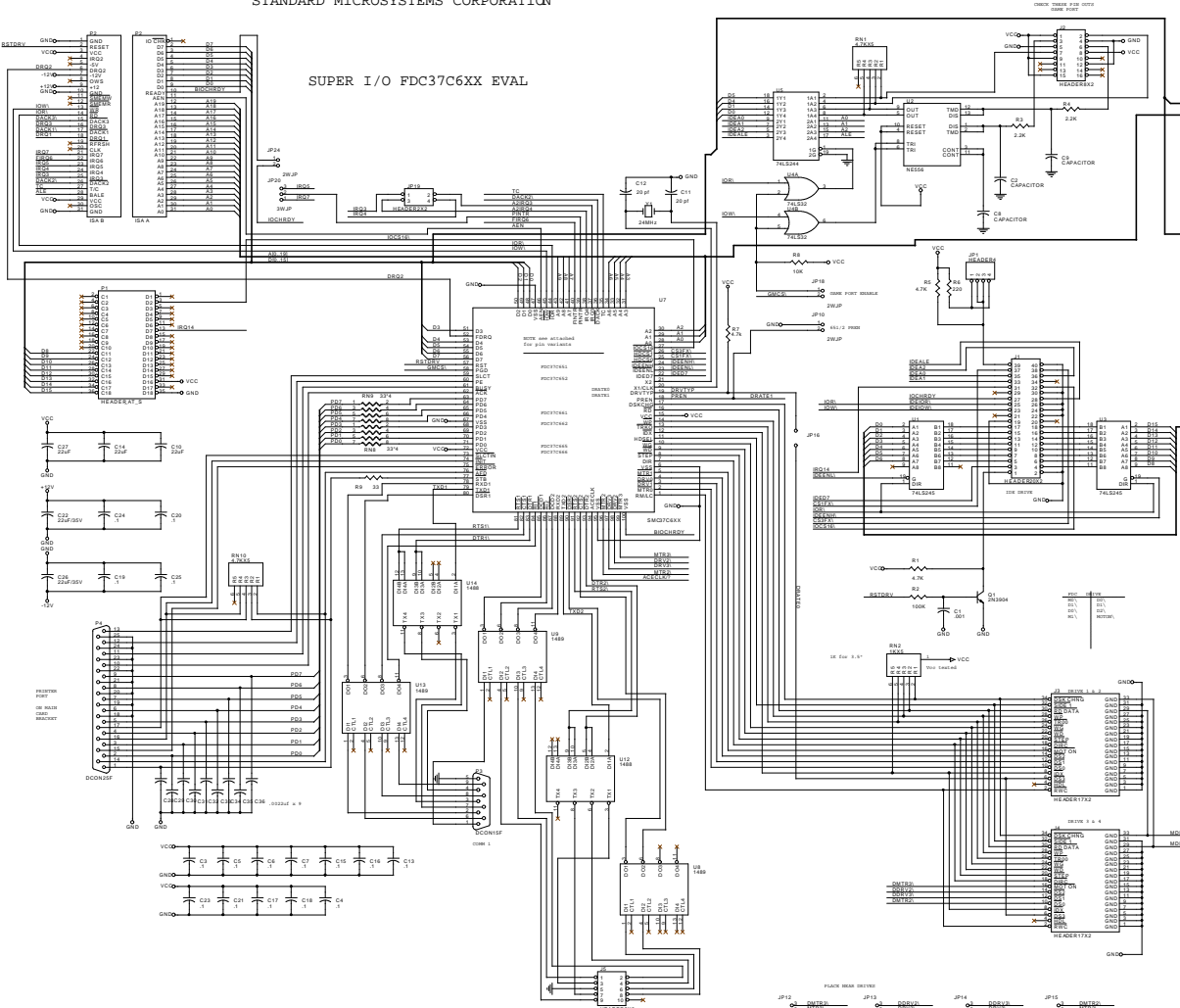
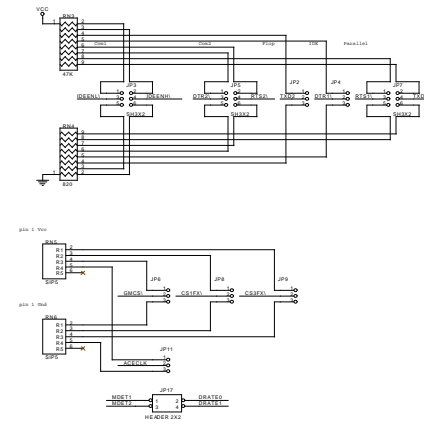


SUPER I/O FDC37C6XX EVAL



Adaptor Board Configuration



Copyright diagrams utilizing SM products are included as a matter of illustration only. Standard Microsystems Corporation, its subsidiaries and its licensors do not warrant, represent, or make any representation as to the accuracy of the information contained herein, or the results of its use. It is the responsibility of the user to verify the accuracy of the information and to assume the responsibility for its use. Standard Microsystems Corporation does not assume any liability for the use of the information contained herein. The user is advised to check the user manual for the product being used for the most current information and to contact the manufacturer for the most current information.

Table with 5 columns: Pin Number, Pin Name, Pin Description, Pin Type, and Pin Location. Includes rows for JP12, JP13, JP14, JP15, JP23, and JP22.

Table with 3 columns: Date, Rev, and Description. Shows revision history for the document.

Table with 2 columns: Field Name and Value. Contains fields for 'STANDARD MICROSYSTEMS CORP', 'SOURCE & DATE', 'REV', 'SUPPORT', 'PART NUMBER', 'SIC SUPPLY NO', 'DESIGNED BY', 'CHECKED BY', 'DATE', and 'REV'.